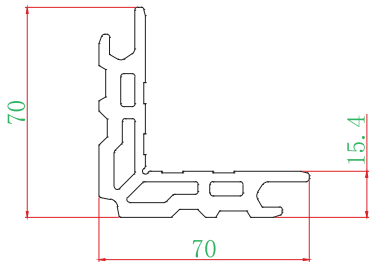
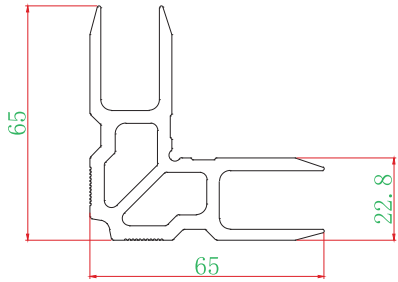
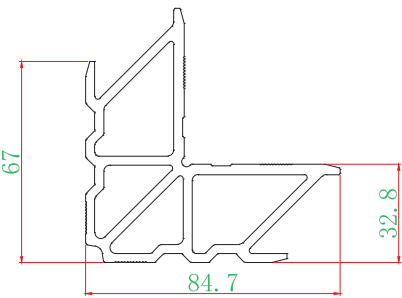
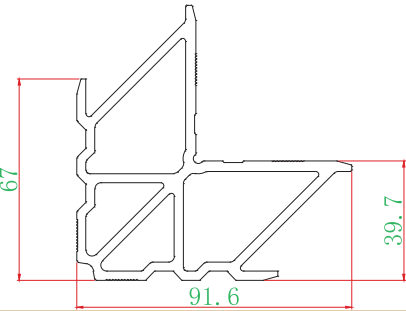
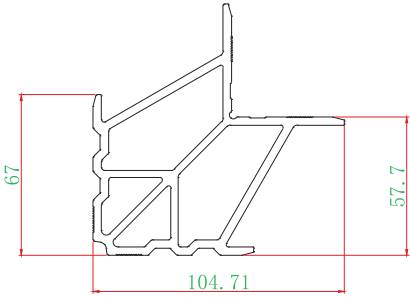
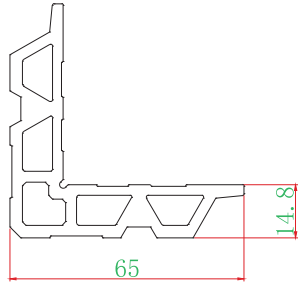
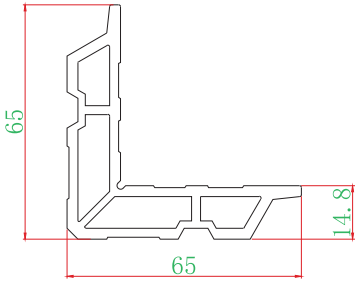
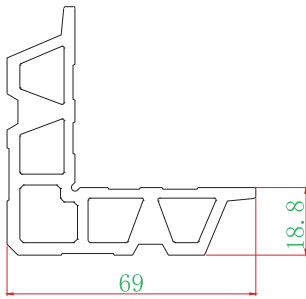
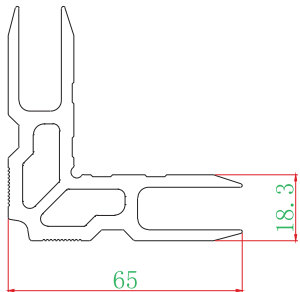
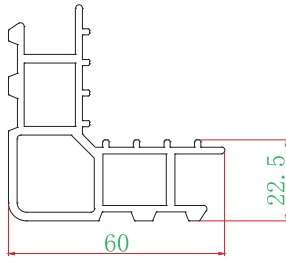
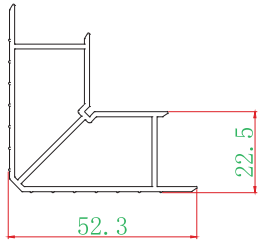
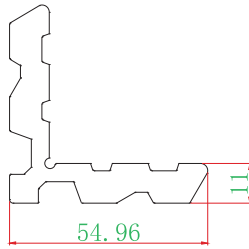
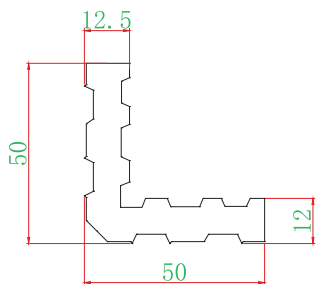


Aluminium Corner Series Section Drawing

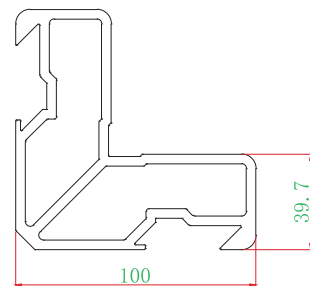
Type					Type				
HH-JL0011					HH-JL0012				
Code					Code				
Corner					Corner				
T (mm)	W (kg/m)				T (mm)	W (kg/m)			
5.00	2.926				3.00	2.391			
Type					Type				
HH-JL0013					HH-JL0014				
Code					Code				
Corner					Corner				
T (mm)	W (kg/m)				T (mm)	W (kg/m)			
3.00	3.316				3.00	3.617			
Type					Type				
HH-JL0015					HH-63117				
Code					Code				
Corner					Corner				
T (mm)	W (kg/m)				T (mm)	W (kg/m)			
3.50	4.231				2.50	2.249			
Type					Type				
HH-63117A					HH-5013				
Code					Code				
Corner					Corner				
T (mm)	W (kg/m)				T (mm)	W (kg/m)			
2.50	1.863				2.50	2.627			
Type					Type				
HH-JL0016					HH-JL0018				
Code					Code				
Corner					Corner				
T (mm)	W (kg/m)				T (mm)	W (kg/m)			
3.00	2.340				2.50	1.607			
Type					Type				
HH-JL0019					HH-JL0020				
Code					Code				
Corner					Corner				
T (mm)	W (kg/m)				T (mm)	W (kg/m)			
1.40	0.805					2.216			

Aluminium Corner Series Section Drawing

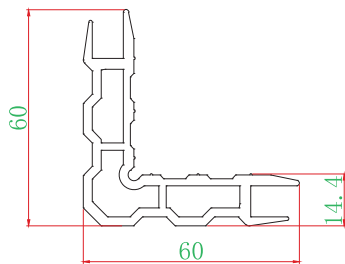
Type	
HH-JL0021	
Code	
Corner	
T (mm)	W (kg/m)
	2.321



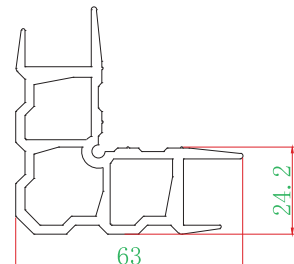
Type	
HH-JL0022	
Code	
Corner	
T (mm)	W (kg/m)
4.00	5.122



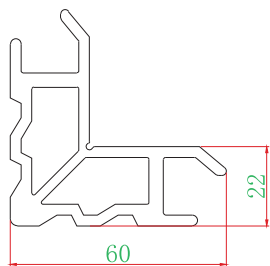
Type	
HH-JL0023	
Code	
Corner	
T (mm)	W (kg/m)
2.50	1.602



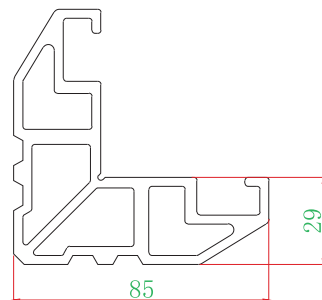
Type	
HH-JL0024	
Code	
Corner	
T (mm)	W (kg/m)
2.50	1.881



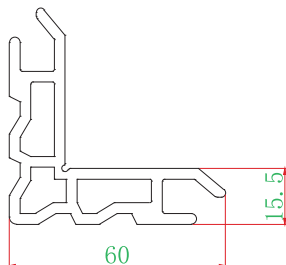
Type	
HH-GR-5508	
Code	
Corner	
T (mm)	W (kg/m)
3.00	2.161



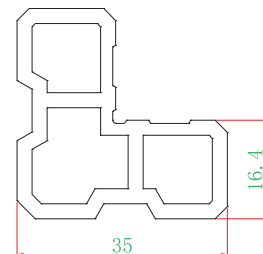
Type	
HH-GR-63118	
Code	
Corner	
T (mm)	W (kg/m)
3.00	3.899



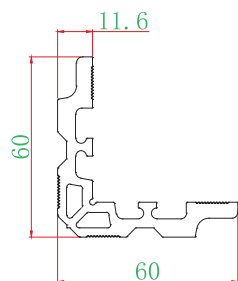
Type	
HH-JL0030	
Code	
Corner	
T (mm)	W (kg/m)
3.00	1.973



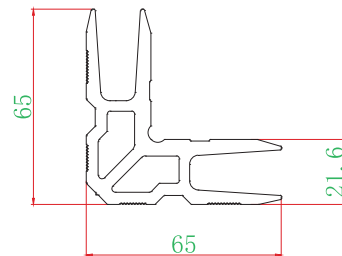
Type	
HH-GR-63109	
Code	
Corner	
T (mm)	W (kg/m)
2.50	0.988



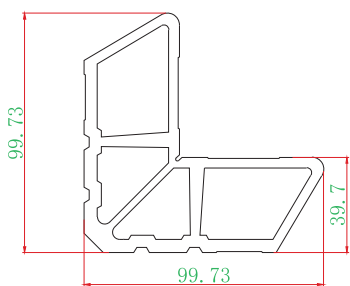
Type	
HH-JL0025	
Code	
Corner	
T (mm)	W (kg/m)
5.40	1.861



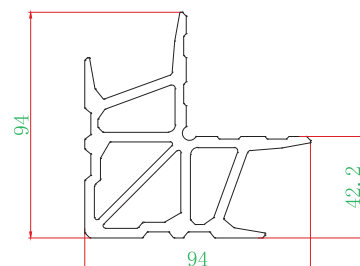
Type	
HH-JL0026	
Code	
Corner	
T (mm)	W (kg/m)
4.00	2.791



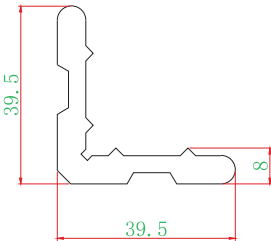
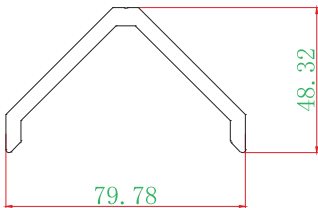
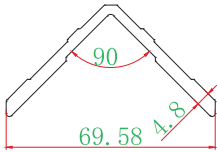
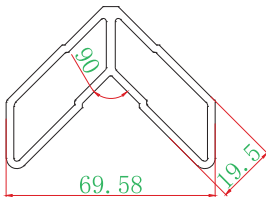
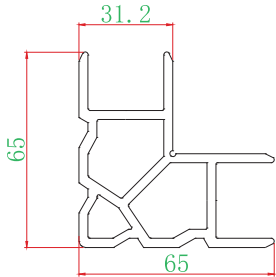
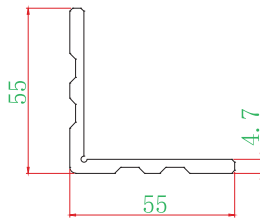
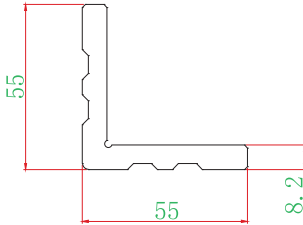
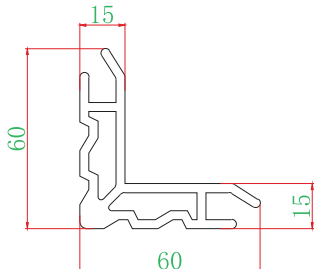
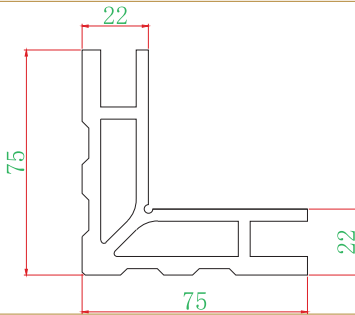
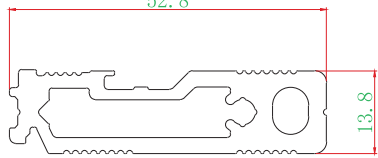
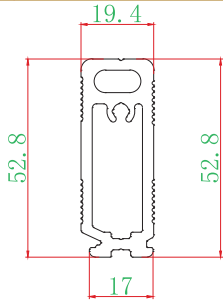
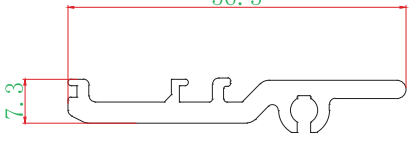
Type	
HH-JL0027	
Code	
Corner	
T (mm)	W (kg/m)
5.50	5.620



Type	
HH-JL0028	
Code	
Corner	
T (mm)	W (kg/m)
4.00	4.813



Aluminium Corner Series Section Drawing

Type			Type		
HH-JL0034			HH-JL0031		
Code			Code		
Corner			Corner		
T (mm)	W (kg/m)		T (mm)	W (kg/m)	
8.00	1.102		5.00	1.691	
Type			Type		
HH-JL0031A			HH-JL0031B		
Code			Code		
Corner			Corner		
T (mm)	W (kg/m)		T (mm)	W (kg/m)	
3.00	1.052		2.50	1.689	
Type			Type		
HH-JL001			HH-MQ1141		
Code			Code		
Corner			Corner		
T (mm)	W (kg/m)		T (mm)	W (kg/m)	
3.00	2.376			1.153	
Type			Type		
HH-MQ1142			HH-JL002		
Code			Code		
Corner			Corner		
T (mm)	W (kg/m)		T (mm)	W (kg/m)	
	2.074		3.00	1.982	
Type			Type		
HH-JL003			HH-JL006		
Code			Code		
Corner			Corner		
T (mm)	W (kg/m)		T (mm)	W (kg/m)	
4.00	3.773		1.70	1.020	
Type			Type		
HH-MPC70A90			HH-MPC70A91		
Code			Code		
Connector			Connector		
T (mm)	W (kg/m)		T (mm)	W (kg/m)	
3.00	1.237		3.00	0.650	